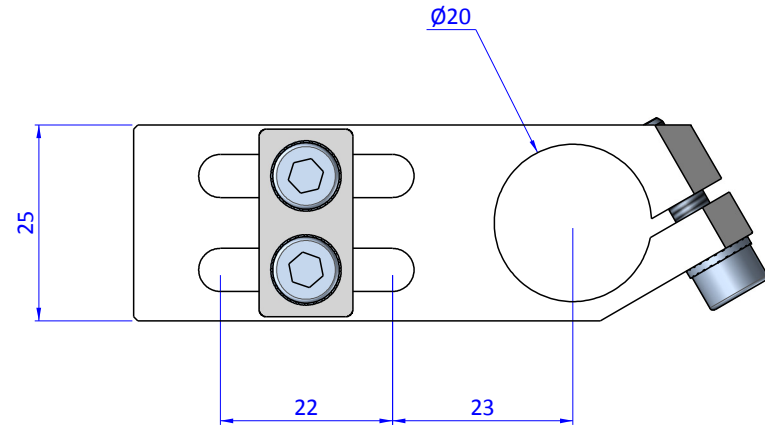
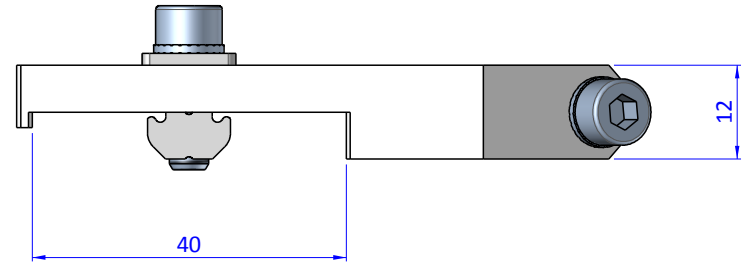
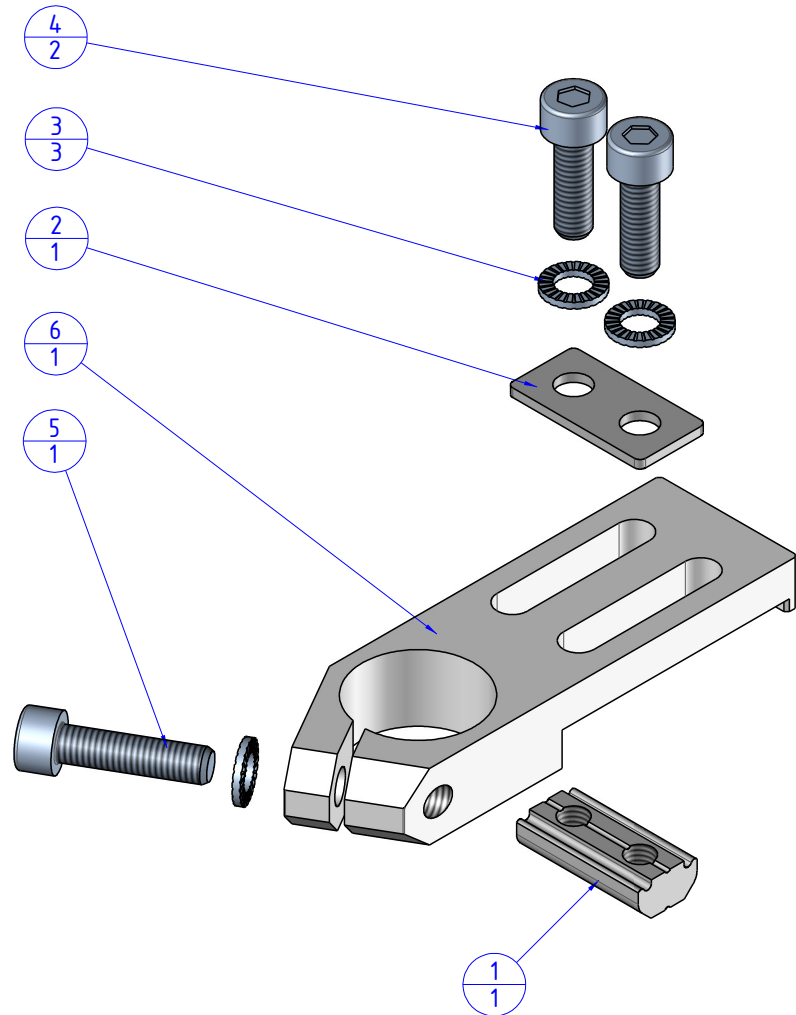


THE PROPERTY OF THE DRAWING IS ESTABLISHED BY LAW. IT IS FORBIDDEN TO PRODUCE OR SHOW IT TO THIRD PARTY, WITHOUT A WRITTEN AGREEMENT.

Object Number	Name	QTY
1	CA.GWP.5.12	1
2	R.05.12	1
3	R.5.SCH	3
4	V.TCE5x16	2
5	V.TCE5x20	1
6	WST.2022	1



Format A3

UNI 936-76

		DESIGNED FROM	REVIEW
		FP SERVICES	A
GENERAL TOLERANCE	DESCRIPTION	DATE	WEIGHT
UNI - ISO 2768	CA.WST.2022.JU	06/04/2017	0,051kg
CLASSE f		CODE	CA.WST.2022.JU